



The MM-100X100-AP adapts speakers with 100x100mm VESA hole pattern using M10 mounting holes to the MultiMount wall mount series. This adapter plate is compatible with MM-015, MM-016, MM-017, MM-018, MM-022, MM-024 and MM-3RDX-18.

Note to installers

Due to the wide variety of wall structures, materials and mounting methods, these instructions assume that the installing contractor will exercise proper judgment in selecting the mounting area and hardware.

As a guide, the installation, when complete should be capable of supporting 5 to 10 times the actual applied load. Always use a back up safety system such as a safety cable.

To assure a trouble free installation, read through and follow these instructions carefully before beginning. If you have doubts about the integrity of the structure you are mounting to or you are not sure about the proper hardware to use, consult a structural and/or hardware specialist.

Follow these instructions for the most efficient and safest mounting results.

1 pc MM-100X100-AP adapter plate 1 pc Hardware kit
1 pc Instruction sheet

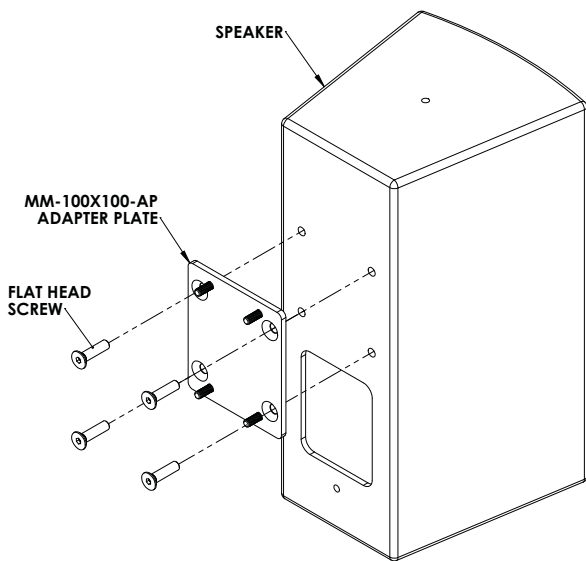


Figure 1

Step 1: Install adapter plate to speaker cabinet using the supplied M10 flat head socket screws (Figure 1). Tighten permanently.

Step 2: Attach the MultiMount's speaker adapter plate to the MM-100x100-AP's threaded studs using the provided 5/16-18 nyloc nut and flat washers (Figure 2).

Step 3: Refer to the MultiMount Wall Mount kit Installation guide to complete the installation.

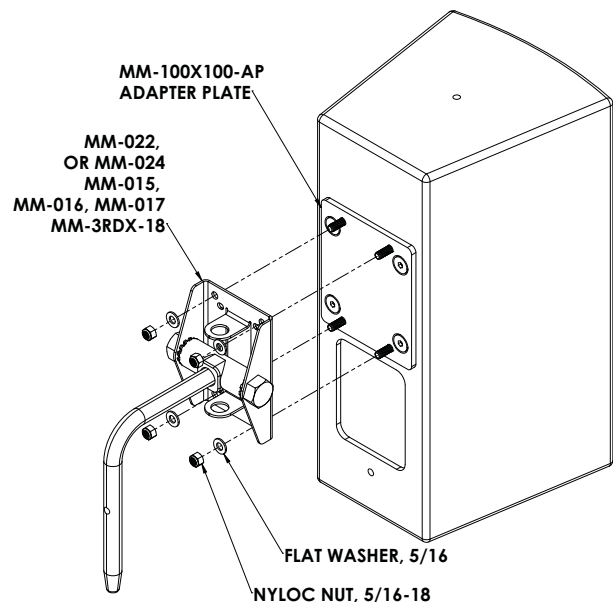


Figure 2