

MultiMount™

Speaker Ceiling Mount

MM-3RDX-120

Installation Guide

The MultiMount-3RDX-120 provides a wide range of speaker aiming positions and adapts to standard off-the-shelf schedule 1.5" NPT and NPS threaded steel pipe. The speaker mount employs two standard mounting hole patterns, the 3.44" x 6.88" and the 2-3/4" x 5".

Be sure that all of the following items are included in this kit before proceeding:

- 1 pc Speaker Adapter Assembly
- 1 pc Instruction sheet

Note: Screws and washers to attach speaker to adapter plate are not included

Step 1: A 1.5 NPT or NPS pipe should already been installed from the ceiling before proceeding to attach the MM-3RDX-120 (Figure 1).

Step 2: Attach MM-3RDX-120 to 1.5 NPT or NPS pipe, then lock with set screw (Figure 1).

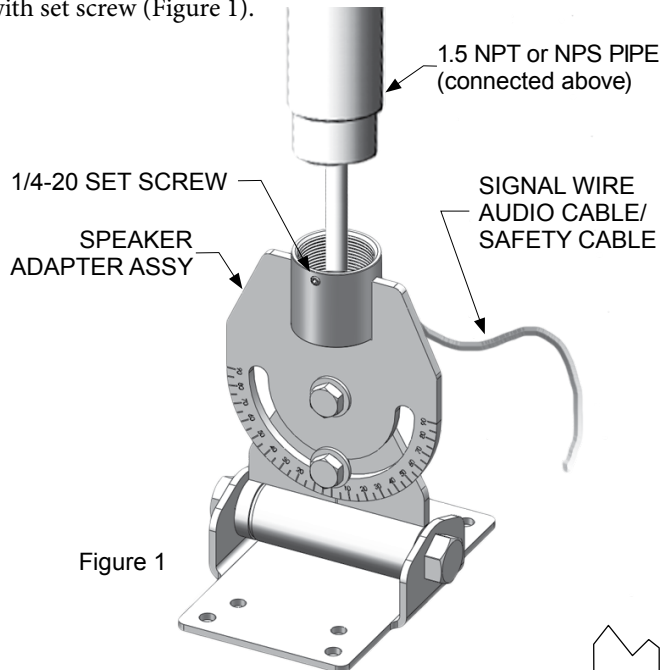


Figure 1

Step 3: Secure speaker to the speaker adapter plate. Pull a sufficient length of signal wire and safety cable to reach the speaker's terminal block and safety cable anchor point. Align the speaker's four mounting points with the mount's matching hole pattern. Use the speaker manufacturer's recommended fasteners; tighten fasteners permanently through the mount and into the speaker cabinet (Figure 2).

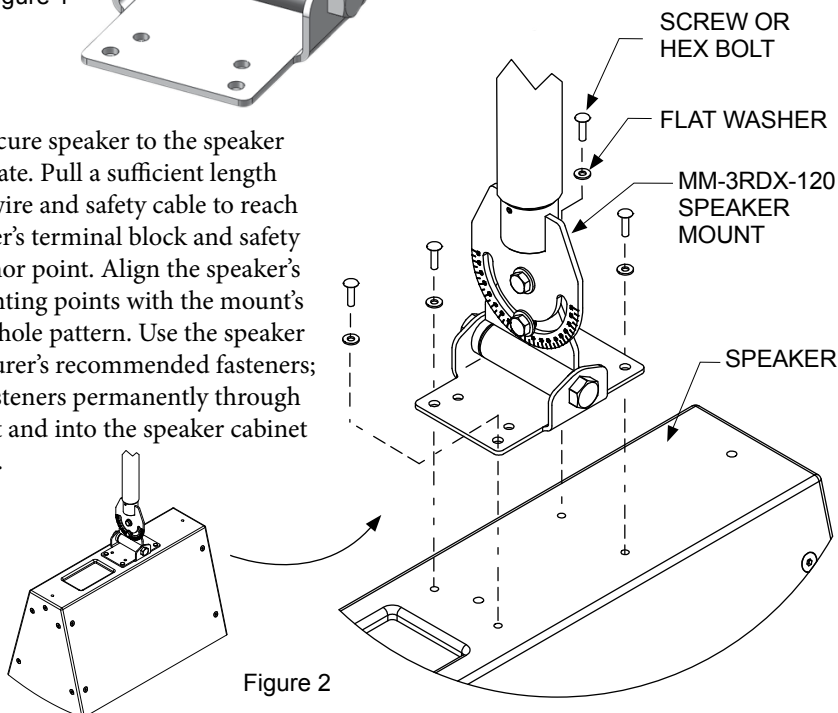


Figure 2

Warning:

Mounting and/or rigging loudspeakers requires experienced professionals. Improperly installed loudspeakers can result in property damage, personal injury, death and/or liability to the installing contractor. To assure a trouble free installation, read through and follow these instructions carefully before beginning. If you have doubts about the integrity of the structure you are mounting to or the proper mounting hardware, consult a local structural or hardware specialist.

Note to installing contractor:

Due to the wide variety of ceiling structures, materials and mounting methods, the installing contractor must exercise good judgment in selecting the proper mounting area and hardware.

MultiMount™

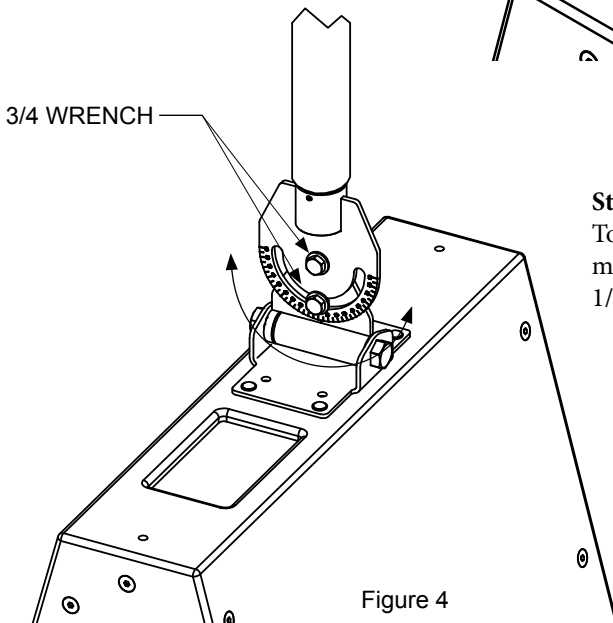
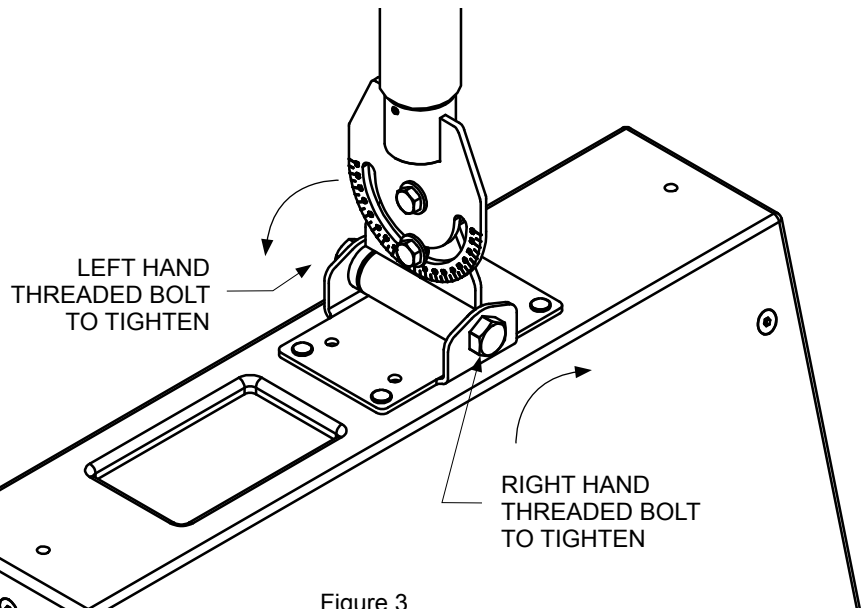
Speaker Ceiling Mount

MM-3RDX-120

Installation Guide

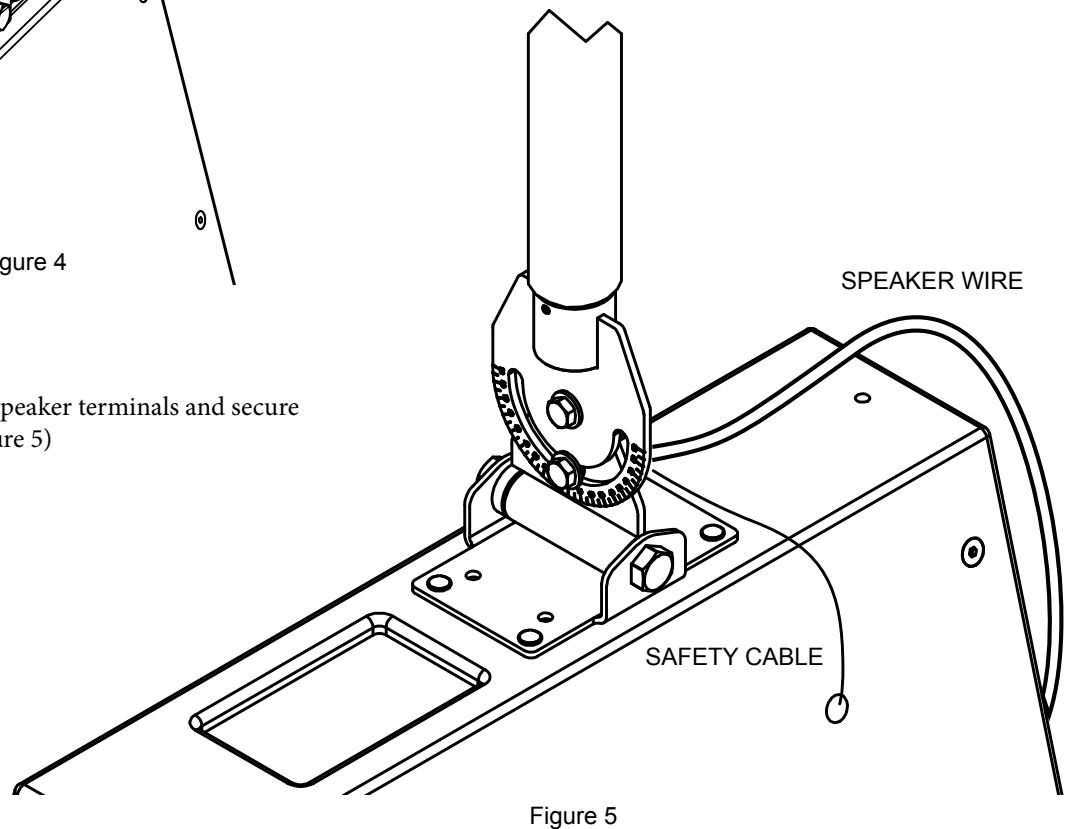
Step 4: Setting the Tilt Angle:

Loosen the 3/4" side hex bolts of the speaker adapter plate if it's tightened. Then aim the speaker at the desired tilt angle. Fully tighten the 3/4" side hex bolts, (one is right hand and the other is a left hand thread). Tighten the right hand threaded hex bolt clockwise and counter-clockwise for the left hand threaded hex bolt (Figure 3). Do not release the weight of the speaker until the side hex bolts have been fully tightened. To re-adjust the tilt angle, loosen the side bolts, reset the tilt angle then fully re-tighten the side bolts. Do not attempt to change the tilt angle while the side bolts are tightened down.



Step 5: Setting the Roll Angle:

To adjust the roll angle, loosen the 1/2" hex head bolts. Swing the speaker/lower mount assembly left or right to the desired angle. Then fully tighten the upper 1/2" hex head bolt first, then the lower hex head bolt (Figure 4).



Step 6: Connect signal wire to the speaker terminals and secure the safety cable to the speaker (Figure 5)