

MM-3RDX-120

120 lb WLL

CEILING SPEAKER MOUNT WITH 3 AXES OF ADJUSTMENTS

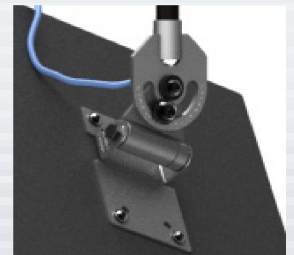
MULTIMOUNT®



The MM-3RDX-120 is an adjustable ceiling speaker mount that provides pan, tilt & roll adjustments. It supports and aims speakers that are equipped with either the 2 X4-1/4 or the 2-3/4" X 5" 4-point mounting pattern.

This model aims speakers from overhead by way of a variety of tube extensions and ceiling attachments. Ceiling speakers achieve up to 360 degrees of horizontal pan angle, up to 180 degrees of tilt angle and 180 degrees of roll adjustment.

Tilt adjustments are made at the side of the speaker adapter plate, Panadjustments are made at the tube extension coupler and the roll feature is adjusted between the mount and the tube extension. The MM-3RDX-18 tube coupler provides a pathway for signal wire and a safety cable to pass through the tube extension to the terminal block. This makes for a clean, safe and predictable method for installing and aiming ceiling speakers



STANDARD FEATURES:

- ▶ Indicators let installers set angles accurately
- ▶ Independent pan, tilt & roll aiming
- ▶ Improved sound coverage
- ▶ Adapts to standard schedule-40 1-1/2" pipe
- ▶ Independent No drift, No memory Locking
- ▶ Works for speakers with 2-3/4" X 5" and 3-7/16" X 6-7/8"

OPTIONAL ACCESSORIES:

- ▶ Ceiling Attachments - See Datasheet
- ▶ Pipe Extensions - See Datasheet

SPECIFICATIONS:

- Material:** Structural Steel Alloy
- Finish:** Powder Coat
- Tilt Rotation:** +/-90 degrees max
- Pan Rotation:** 360 degrees
- Color:** Black
- WLL:** 120 lb. (54.5 Kg) max.
- Design Factor:** 5:1 ratio
- Net WGT:** 12 lb. (5.45 Kg.) each
- Shipping WGT:** 14 lb. (6.4 Kg.) each
- Pack Count:** 1 unit/carton

PACKAGE CONTENTS:

1 pc 3-axis mount



Rated for indoor use.

ALWAYS INSTALL SAFETY CABLES

WARNING: Mounting and/or suspension of equipment requires experienced professionals. Improperly installed equipment can result in property damage, personal injury and/or liability to the installing contractor.

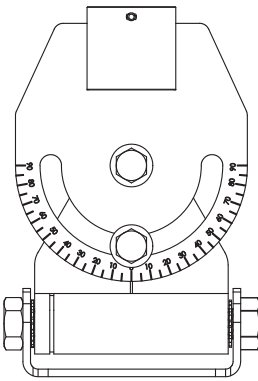
MM-3RDX-120

120 lb WLL

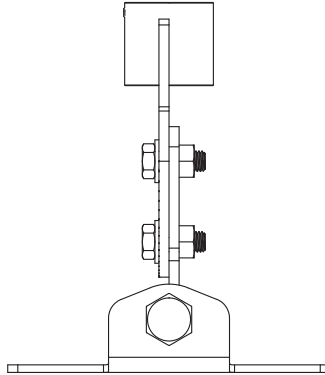
CEILING SPEAKER MOUNT WITH 3 AXES OF ADJUSTMENTS

MULTIMOUNT®

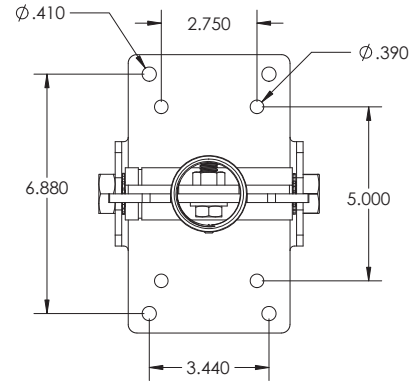
DIMENSIONS:



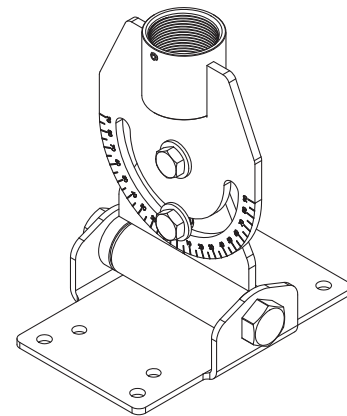
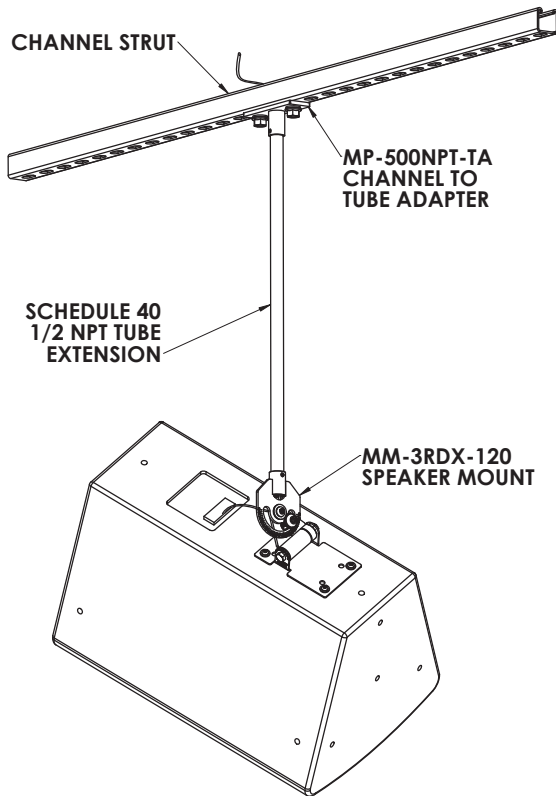
Front View



Side View



Bottom View



Secure to overhead
Structure with 1-1/2" diameter pipe

Adaptive Technologies Group
1635 E. Burnett Street | Signal Hill, CA 90755 USA
Ph: 562.424.1100 | Fax: 562.424.3520
www.adaptivetechgroup.com



ALWAYS INSTALL SAFETY CABLES

WARNING: Mounting and/or suspension of equipment requires experienced professionals. Improperly installed equipment can result in property damage, personal injury and/or liability to the installing contractor.

