

MultMount-3RDX-18 provides a wide range of speaker aiming positions and adapts to standard off-the-shelf schedule 40 1/2" NPT threaded steel pipe. This allows the speaker to be positioned as close or as far away from the ceiling as desired. The speaker mount employs two standard mounting hole patterns, the 2" x 4-1/4" and the 2-3/4" x 5". The ceiling mounting plate adapts to most overhead structures, including ceiling trusses, beams, Unistrut and other structural components.

Note to installers

Due to the wide variety of wall structures, materials and mounting methods, these instructions assume that the installing contractor will exercise proper judgment in selecting the mounting area and hardware. As a guide, the installation, when complete should be capable of supporting 5 to 10 times the actual applied load. Also, always use a back up safety system such as a safety cable.

To assure a trouble free installation, read through and follow these instructions carefully before beginning. If you have doubts about the integrity of the structure you are mounting to or you are not sure about the proper hardware to use, consult a structural and/or hardware specialist.

Be sure that all of the following items are included in this kit before proceeding:

1 pc Speaker Adapter Assembly 1 pc Instruction sheet

Note: Screws and washers to attach speaker to adapter plate are not included

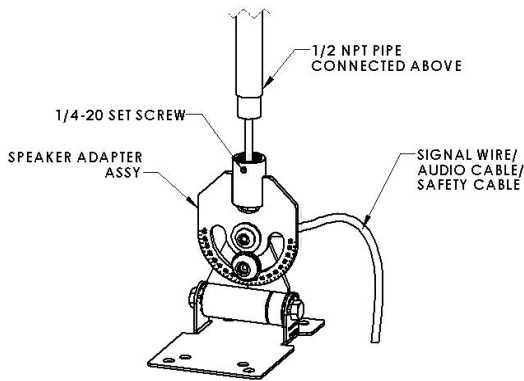


Figure 1

Step 1: A 1/2 NPT pipe should already been installed from the ceiling before proceeding to attach the MM-3RDX-18 (Figure 1).

Step 2: Attach MM-3RDX-18 to 1/2 NPT pipe, then lock with set screw (Figure 1).

Step 3: Secure speaker to the speaker adapter plate

Pull a sufficient length of signal wire and safety cable to reach the speaker's terminal block and safety cable anchor point. Align the speaker's four mounting points with the mount's matching hole pattern. Use the speaker manufacturer's recommended fasteners; tighten fasteners permanently through the mount and into the speaker cabinet (Figure 2).

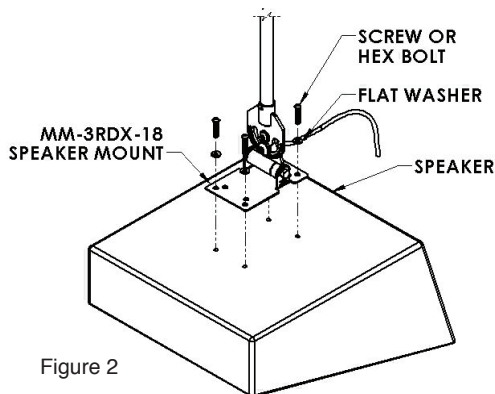


Figure 2

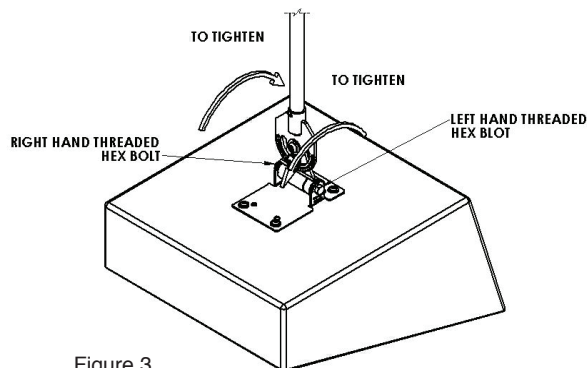


Figure 3

Step 4: Setting the Tilt Angle

Loosen the 3/8" side hex bolts of the speaker adapter plate if it's tightened. Then aim the speaker at the desired tilt angle. Fully tighten the 3/8" side hex bolts, (one is right hand and the other is a left hand thread). Tighten the right hand threaded hex bolt clockwise and counter-clockwise for the left hand threaded hex bolt (*Figure 3*). Do not release the weight of the speaker until the side hex bolts have been fully tightened. To re-adjust the tilt angle, loosen the side bolts, reset the tilt angle then fully re-tighten the side bolts.

Do not attempt to change the tilt angle while the side bolts are tightened down.

Step 5: Setting the Roll Angle

To adjust the roll angle, loosen the 1/2" and 3/8" hex head bolts. Swing the speaker/lower mount assembly left or right to the desired angle. Then fully tighten the 1/2" hex head bolt first, then the 3/8" hex head bolt (*Figure 4*).

Step 6: Connect signal wire to the speaker terminals and secure the safety cable to the speaker (*Figure 5*).

