

MP-1.5NPT-GSA

(150lb. WLL)

GIMBALED STRUT ADAPTER

STRUTWARE™



CEILING MOUNT

Use Adaptive's gimballed strut attachment to suspend loudspeakers, video displays and other objects from Unistrut when attached to angled ceiling and roof structures, up to 90 degrees off vertical. This adapter mounts quickly and permanently to Unistrut channel with 1/2-13 spring loaded nuts (not included) or can be bolted through the strut when space permits. This SwivelMount suspends and locks objects weighing up to 150 lb using standard 1- 1/2" diameter steel pipe.



Mounts to overhangs

Secures to Unistrut

BC-GSA-100 (optional)
Use to attach to glulam

STANDARD FEATURES:

- ▶ For overhead audio & video applications.
- ▶ Adapts to standard off-the-shelf schedule 1-1/2" NPT and NPS threaded steel pipe

OPTIONAL ACCESSORIES:

- ▶ See Threaded Rod Datasheet
- ▶ Glulam Wood Beam Attachment - **BC-GSA-100**

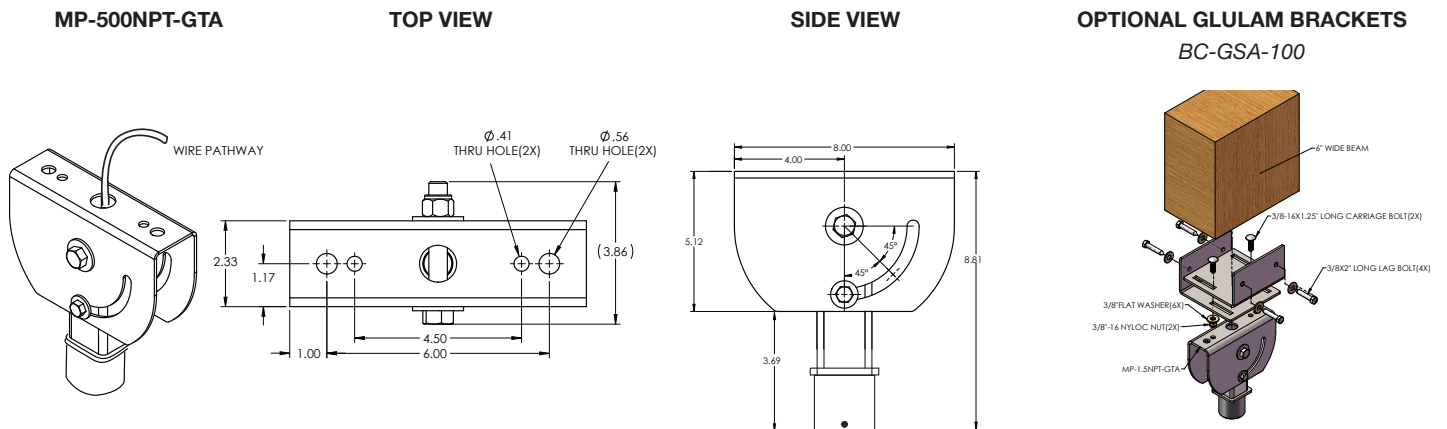
SPECIFICATIONS:

- Materials:** Structural Steel
- Finish:** Powder Coat
- Color:** Black
- Design Factor:** 7:1
- WLL:** 150lbs
- Shipping Weight:** 6.5lb/3kg

PACKAGE CONTENTS:

- 1 pc** Gimballed Strut Adapter
- 2 pcs** 3/8" Flat Washer
- 1 pc** Instruction Sheet
- 2 pcs** 2 pcs Flange bolt 1/2-13x2"
- 2 pcs** Retainer nut, 1/2-13
- 2 pcs** Nyloc Nut, 1/2-13

DIMENSIONS:



ALWAYS INSTALL SAFETY CABLES

WARNING: Mounting and/or suspension of audio and video equipment requires experienced professionals. Improperly installed loudspeakers can result in property damage, personal injury and/or liability to the installing contractor.