

MP-150-115-CM

454 lb. WLL

CEILING PLATE FOR 1-1/2" DIA. SCHED-40 THREADED PIPE

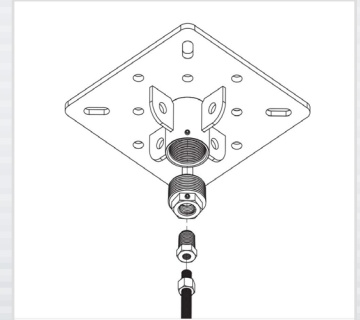
CEILING ATTACHMENT



CEILING MOUNT

The MP-150-115-CM attaches audio and video mounts to hard decks, ceiling surfaces, horizontal structures and strut. This ceiling mount accepts a standard sched.40 1-1/2" pipe. The optional pipe reducer 2-8059 reduces to sched.40 1/2" pipe and an additional pipe reducer 2-8057 reduces to 1/2-13 threaded rod.

The MP-150-115-CM is made from rugged steel and powder coated black. An included set screw assures a permanent installation.



KEY FEATURES:

- ▶ For overhead audio & video applications.
- ▶ Adapts to standard schedule-40 1-1/2" pipe

OPTIONAL ACCESSORIES:

- ▶ See Threaded Rod Datasheet
- ▶ 2-8057 Pipe Reducer
- ▶ 2-8059 Pipe Reducer
- ▶ CP-16 Ceiling Stud Plate

SPECIFICATIONS:

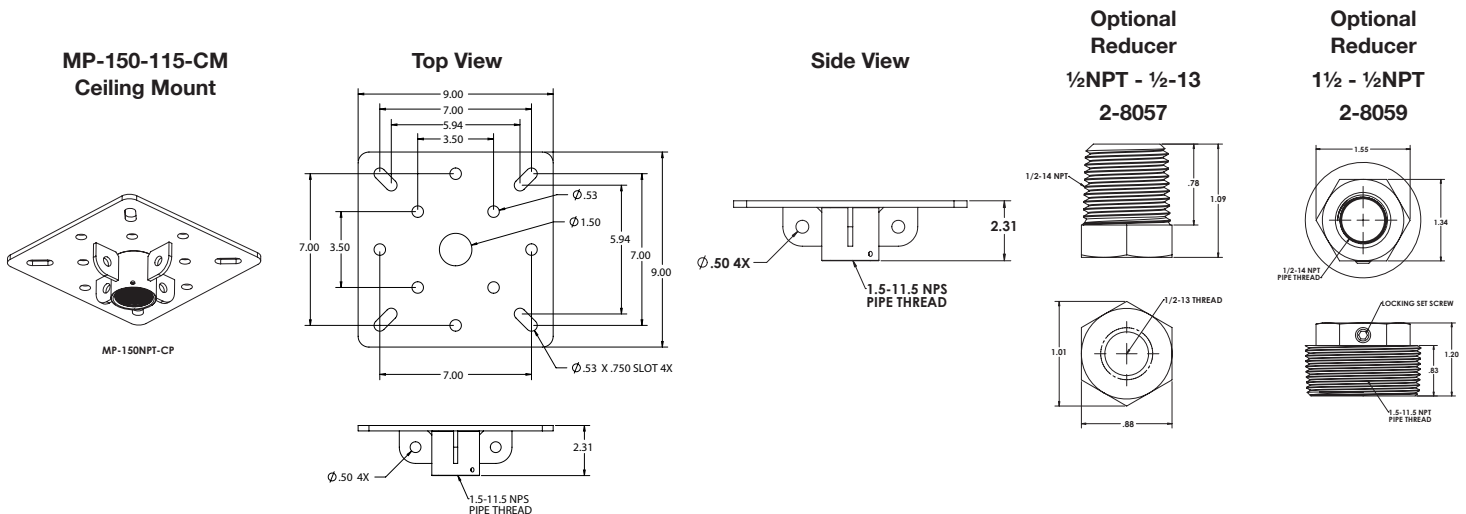
Material: Structural Steel
Finish: Powder Coat
Color: Black
Design Factor: 7:1
WLL: 454 lbs / 206 Kg

PACKAGE CONTENTS:

1 pc Ceiling Mount
1 pc Set Screw, 1/4-20



DIMENSIONS:



ALWAYS INSTALL SAFETY CABLES

WARNING: Mounting and/or suspension of audio and video equipment requires experienced professionals. Improperly installed equipment can result in property damage, personal injury and/or liability to the installing contractor.