

Shackle Mount Connector

Installation Instructions

MVFS-1.5X2-SMC

The MVFS-1.5x2-SMC is used to connect and suspend two or more video rigging beams to create continuous video display in landscape or portrait mode.

Important: Rigging overhead system requires professional experience. **Improperly installed equipment can result in property damage, personal injury, death and/or liability to the installing contractor.** Do not suspend if in doubt about the integrity of the structure.

Caution: Due to the wide variety of structures, environments, materials and rigging methods, the installing contractor must exercise good judgment in selecting the proper mounting area and hardware.

Follow these instructions for the most efficient and safest mounting results. Do not exceed the specified working load limit.

Package Contents:

- 1 pc. Shackle Mount Connector
- 1 pc. Instruction sheet
- 4 pcs Hex bolt, 3/8-16x3" long
- 4 pcs Nylock nut, 3/8-16
- 8 pcs Flat washer, 3/8

NOTE: For quick assembly and disassembly installation, use 3/8" dia. x 2.5" long grip Quick release pins (QRP375-25L-4130) instead of the provided hex bolts and nuts.

Step 1:

Align two video rigging beams with the rectangular slot facing down. Place the shackle mount connector over the two rigging beams and align the holes of the shackle mount connector to the two holes on each end of the beams (Figure 1)

Step 2: Attach MVFS-1.5x2-SME

Secure the shackle mount connector to the holes on the rigging beam using the provided bolts, nuts and washers. Make sure that the long end of the suspension bar faces the front of the video display (Figure 1).

Step 3: Suspend Video Display

Attach the suspension hardware to the desired hole of the Shackle Mount Connector. Attaching hardware to the holes toward the front will tilt the video display up and holes towards the rear will tilt the video display down (Figure 2).

Step 4:

Check all connections and hardware before hoisting the display.

FOR QUICK ASSEMBLY AND DISASSEMBLY INSTALLATION, USE QRP375-25L-174S (3/8" X 2.5" GRIP QUICK RELEASE PIN). SOLD SEPARATELY.

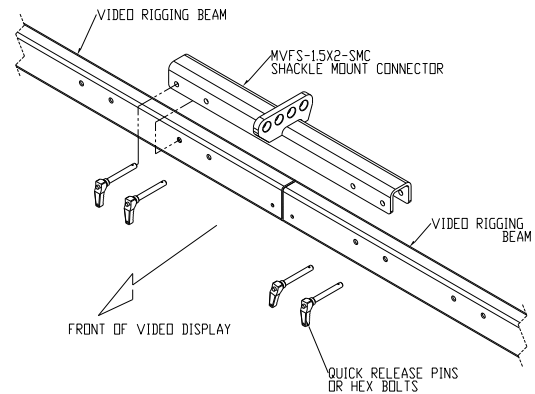
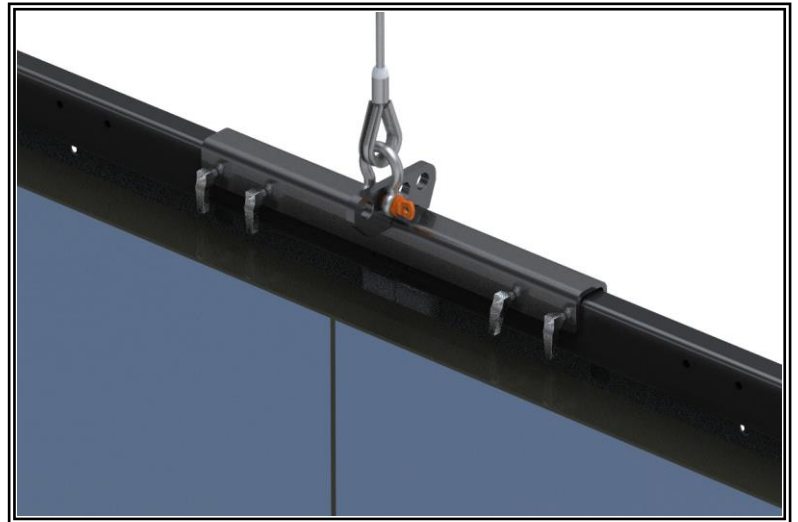


Figure 1

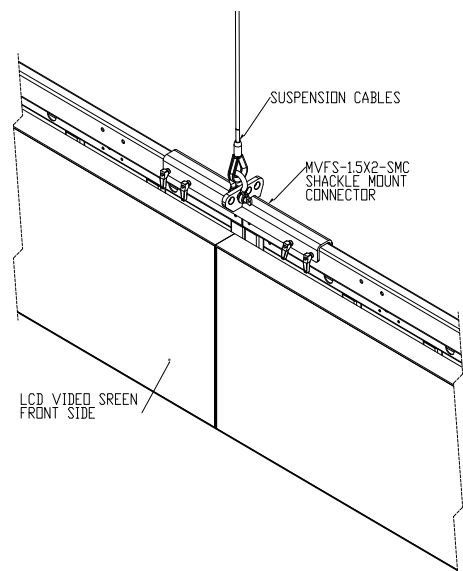


Figure 2 (With Quick Release Pins)