

PIPE-500-1422

200 lb. WLL

OVERHEAD TELESCOPING PIPE EXTENDER

Tel-Xtenders



The PIPE-500-1422 offers installers the ability to lower and raise items that are suspended from above. There are 3 different lengths to choose from, the PIPE-500-1015 (10 to 15"), the PIPE-500-1422 (14 to 22") and the PIPE-500-2030 (20 to 30").

Adaptives PIPE-500-SERIES works with a variety of our overhead mounting products such as our unistrut mounting product line as well as wood and metal beam clamps.



PIPE-500-1422 - Strut Mounted



PIPE-500-1422 - Speaker Mounted

STANDARD FEATURES:

- ▶ Telescoping pipe offers multiple positions
- ▶ Adapts to multiple overhead mounts.
- ▶ 3/4" incremental adjustment

OPTIONAL ACCESSORIES:

- ▶ Ceiling Mounts - See Datasheets
- ▶ Pipe Extensions - See Datasheets
- ▶ MP-500NPT-CP
- ▶ MP-500NPT-GSA
- ▶ MP-500-13-CM

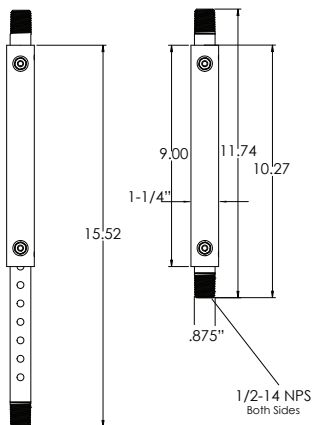
SPECIFICATIONS:

Outer Tube: Structural Steel Tube
Inner Tube: Structural Steel Pipe
Finish: Powder Coat
Color: Black
WLL: 200 lb. (90.7 Kg) max.
Design Factor: 7:1 ratio

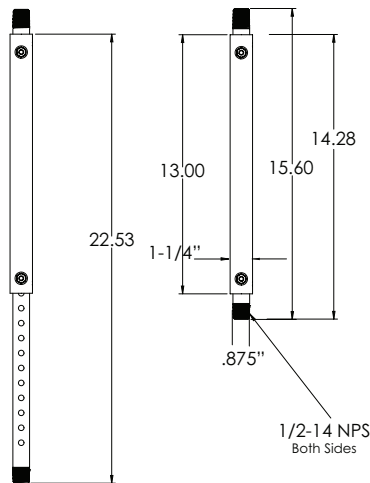
PACKAGE CONTENTS:

1pc Telescoping Pipe
1pack Hardware Kit

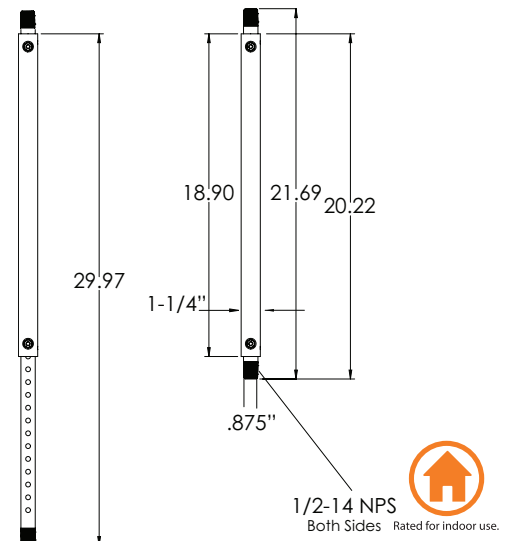
PIPE-500-1015 Dimensions



PIPE-500-1422 Dimensions



PIPE-500-2030 Dimensions



ALWAYS INSTALL SAFETY CABLES

WARNING: Mounting and/or suspension of audio and video equipment requires experienced professionals. Improperly installed loudspeakers can result in property damage, personal injury and/or liability to the installing contractor.