

PM-24-6DOWN-G

200 lb WLL

OUTDOOR SPEAKER MOUNTING SYSTEM

PoleStar®



Loudspeaker and Yoke not included.

Galvanized UniFrame

The UniFrame is a complete mounting solution for outdoor loudspeakers. Its design combines the attributes of the PoleStar stainless “a-lacarte” version into just two models produced in steel and then galvanized to an outdoor weather rating.

The UniFrame reduces the amount of parts required for the job site and saves installation time by combining the support arm and the pole adapter together into one assembly. Optional stainless steel band kit is available and a pan locking kit is included. These require a socket set to assemble.

The support arm is welded together for extra strength and durability. Each arm includes three attach point mounting holes at the end of the arm that allow the installer to select the desired distance between the loudspeaker and the pole.

This design accommodates pole diameters from 2” to 6” (50-152 mm) and the PM-24-6UP-G from 6” - 24” (152mm - 610mm) diameter poles and columns and larger.

STANDARD FEATURES:

- ▶ Uni-Frame for added strength and reduced install time
- ▶ Pan Locking Bracket included
- ▶ Rugged outdoor galvanized finish to ASTM A123 and ISO1461 specifications.
- ▶ Three arm mounting points to accommodate all speaker models.
- ▶ Support arm may be rotated up or down for installation flexibility.

OPTIONAL ACCESSORIES:

- ▶ See Safety Cable data sheet

SPECIFICATIONS:

Material: Steel Alloy

Finish: Galvanized

Color: Silver

WLL: 200 lb / 91 Kg

Design Factor: 10:1 ratio

CONTENTS:

1pc: Uni-Frame Arm

1 set: Hardware Kit

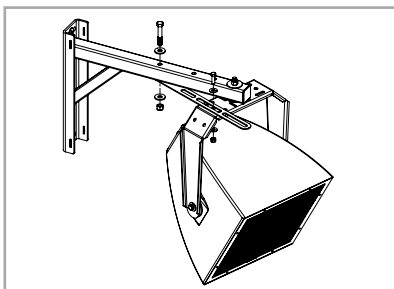
1 set: Pan Lock Kit

*WLL = Working Load Limit



Rated for outdoor use.

Pan Lock Bracket



Pan Lock Bracket Kit Included

1-Way Mounting Only



For 2” Diameter Poles & Larger

Safety Anchor



Recommended Option

Adaptive Technologies Group
1635 E. Burnett Street | Signal Hill, CA 90755 USA
Ph: 562.424.1100 | Fax: 562.424.3520
www.adaptivetechgroup.com



ALWAYS INSTALL SAFETY CABLES

WARNING: Mounting and/or suspension of audio and video equipment requires experienced professionals. Improperly installed loudspeakers can result in property damage, personal injury and/or liability to the installing contractor.

PM-24-6DOWN-G

200 lb WLL

OUTDOOR SPEAKER MOUNTING SYSTEM

PoleStar®

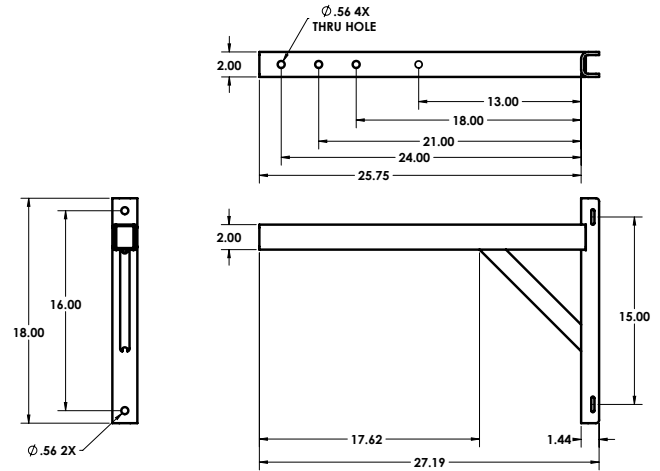
Uniframe Mount

This all-tubular steel frame accommodates loudspeakers equipped with a yoke and is galvanized for outdoor use. This model is designed to be mounted to any round pole from 2" to 6" diameter.

Two sets of slots on the sides of the mount receive the included stainless steel banding straps that secures the mount to the pole.

Three separate through-holes in the mount's arm allow the installer to set the distance and tilt angle of the speaker and yoke.

A fourth hole allows for the installation of the rotation-lock bracket that helps avoid altering the speaker angle during high winds.

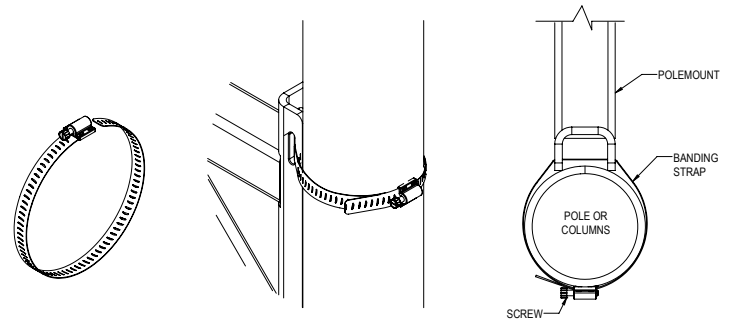


Pole Band Kit (Optional)

PM-BAND-20S

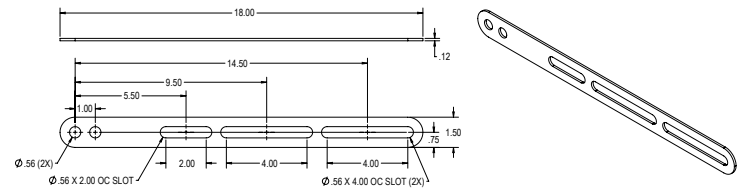
Two stainless steel bands and related hardware are included in this kit 2" (50mm) to 6"/152mm). The unique bolt kit requires only a socket wrench to secure and tension bands by hand. No special tools or equipment necessary. The 201 stainless band material is easy to work with, offers high strength, a clean appearance and good resistance to oxidation and weathering.

Pole Band Kit (Pair)



Panlock Link Bar (Included)

This stainless steel pan-lock bracket secures to the mount's arm and to the speaker's yoke bracket to prevent the speaker's pan angle from shifting in high winds. Drilling a 1/2" diameter hole in the yoke may be necessary if a mounting hole is not already available. Select the PM-Safety-6Down-SS for marine environments.

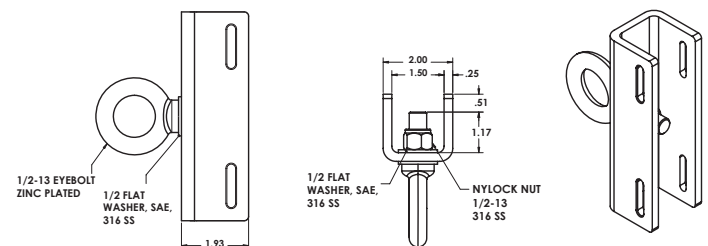


Pan Angle Locking & Bracket

Safety Anchor (Optional) / PM-SAFETY-6DOWN

This weatherized pole anchor is a recommended option when the selected pole or column does not already offer a safety attach point. This Safety Anchor provides a load-rated pole attachment and designed to be installed on poles that are 2" in diameter and larger, serving as a redundant safety back-up in the event of a mount failure. This Anchor requires a pair of band kits and one safety cable, which are sold separately.

Select the PM-Safety-6Down-SS for marine environments.



Pole Mounted Safety Anchor

Adaptive Technologies Group

1635 E. Burnett Street | Signal Hill, CA 90755 USA
Ph: 562.424.1100 | Fax: 562.424.3520
www.adaptivetechologiesgroup.com



ALWAYS INSTALL SAFETY CABLES

WARNING: Mounting and/or suspension of audio and video equipment requires experienced professionals. Improperly installed loudspeakers can result in property damage, personal injury and/or liability to the installing contractor.



Rated for outdoor use.