

PM-BAND-20S

150 lb WLL

BAND KIT FOR 2" TO 5" DIA. POLES AND COLUMNS

PoleStar®



This all weather, stainless steel banding strap is designed to attach the PoleStar™ Pole Adapters to 2" to 5" diameter poles. Each kit contains 2 band assemblies. These kits, when used per instructions will support the stated working load of the selected pole adapter.

Secure signs, mounts and other objects to round poles and columns using this band kit. The PM-Band-20s kit offers a pair of 18" long bands and tensioning hardware. This kit is designed for pole diameters up to 5"/127mm. The unique bolt kit requires only a screw driver or socket wrench to secure and tension bands by hand. No special tools or equipment necessary. The 301 stainless band material is easy to work with, offers high strength, a clean appearance and good resistance to oxidation and weathering. These kits are great for both indoor and outdoor use. Custom lengths are available too.



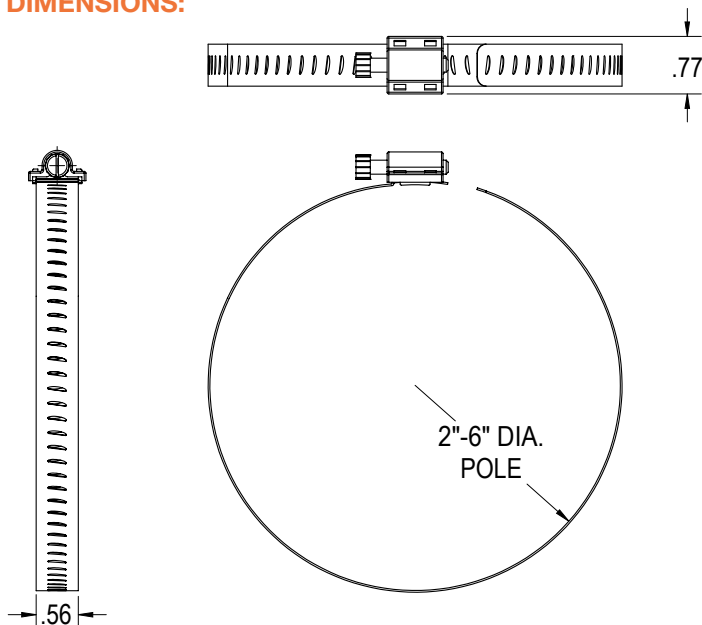
* Not designed for square poles

STANDARD FEATURES:

- ▶ Simple Socket Wrench Installation
- ▶ Stainless Steel Construction for Outdoor Use
- ▶ Securely attaches items to poles and columns

Model	Length	Width	Tickness	Max Dia.	WLL	Weight
PM-Band-20S	18"/457cm	.56/14.2mm	.022/.56mm	6"/152mm	150/68 Kg (pair)	.3 lb / 7.62 Kg

DIMENSIONS:



SPECIFICATIONS:

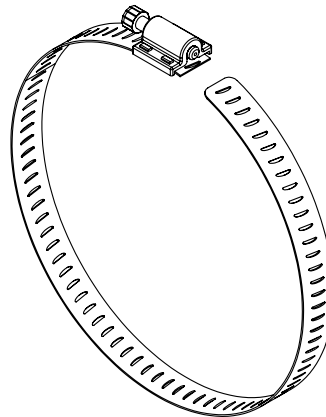
Material: Stainless Steel
Finish: Silver
WLL: 150 lb / 68 Kg single speaker (pair)

CONTENTS:

2 pcs 18" Bands
2 pcs Worm Gears

Design Factor: 5:1

*WLL = Working Load Limit



ALWAYS INSTALL SAFETY CABLES

WARNING: Mounting and/or suspension of equipment requires experienced professionals. Improperly installed equipment can result in property damage, personal injury and/or liability to the installing contractor.