

PM-SA-24

OUTDOOR SUPPORT ARM

STAINLESS

PoleStar®



The PM Series support arm is produced from rugged structural stainless steel in a natural finish and supports the stated working load of the selected pole adapter. Three different mounting holes allow for placement, relative to the pole to allow clearance for tilt rotation.

Decorative hole covers provide a finished look and hardware is included to secure Yoke and U-Bracket style mounts.



STANDARD FEATURES:

- ▶ Mounts to PM-MOUNT-6UP & PM-MOUNT-6DOWN
- ▶ All stainless steel construction
- ▶ Common mounting hole patterns
- ▶ Cosmetic trim components included
- ▶ Mounts to flat surfaces, walls, press boxes, square poles and round poles with the use of the PM-MOUNT-6UP or PM-MOUNT-6DOWN

OPTIONAL ACCESSORIES:

- ▶ PM-Safety-6DSS
- ▶ See Safety Cables data sheet
- ▶ PM-MOUNT-6UP
- ▶ PM-MOUNT-6DOWN

SPECIFICATIONS:

Material: Stainless Steel
Finish: Passivated
Color: Silver
WLL: 300 lb / 136 Kg*

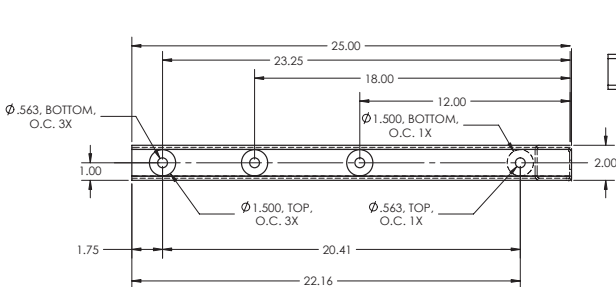
*WLL = Working Load Limit
Weight must be distributed at both ends evenly

PACKAGE CONTENTS:

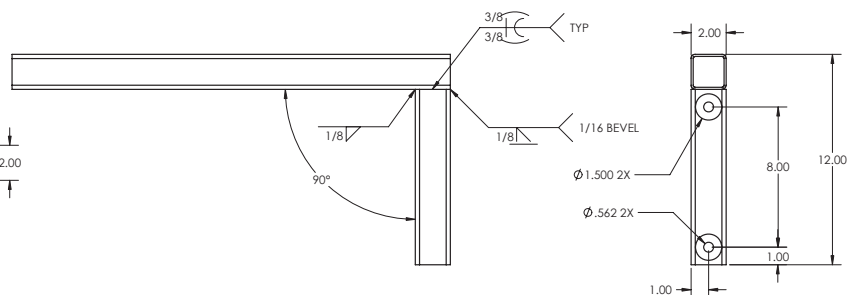
1pc Stainless Steel Arm
1pc Hardware Kit



Rated for outdoor use.



Front View



Top View

End View

Adaptive Technologies Group
1635 E. Burnett Street | Signal Hill, CA 90755 USA
Ph: 562.424.1100 | Fax: 562.424.3520
www.adaptivetechologiesgroup.com



ALWAYS INSTALL SAFETY CABLES

WARNING: Mounting and/or suspension of audio and video equipment requires experienced professionals. Improperly installed loudspeakers can result in property damage, personal injury and/or liability to the installing contractor.

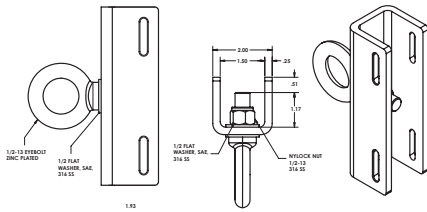
BAND STRAP KITS:

Five different length permanent band kits are available in stock lengths including 20", 30", 60", 90" and 120". Choose from the section below. Each kit contains 2 assemblies. These kits, when used per instructions, will support the stated working load of the selected pole adapter.

Model	Length	Width	Thickness	Max Pole Dia.	WLL	Weight
PM-Band-20S	20"/508mm	.50/13mm	.02 / 0.508mm	6"/152mm	150 / 68kg	.7 lb. / .32 kg
PM-SB-BAND-30	30"/762mm	.75/19mm	.03 / 0.762	6"/152mm	300 / 136kg	1.5 lb. / 0.7 kg
PM-SB-BAND-60	60"/1524mm	.75/19mm	.03 / 0.762	15"/381	300 / 136kg	2.0 lb. / 1.9 kg
PM-SB-BAND-90	90"/2286mm	.75/19mm	.03 / 0.762	25"/635mm	300 / 136kg	2.5 lb. / 1.1 kg
PM-SB-BAND-120	120"/3048mm	.75/19mm	.03 / 0.762	32"/813mm	300 / 136kg	3.0 lb. / 1.36 kg

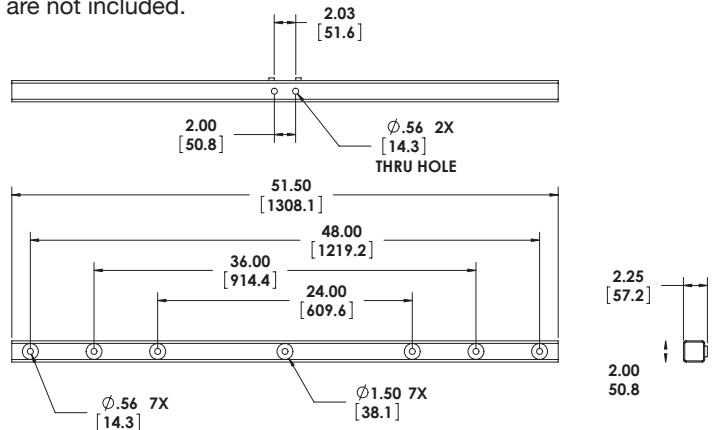
SAFETY ANCHOR / PM-Safety-6DDS:

When the pole or column does not offer an adequate way to attach safety cables, specify the PM-Safety-6DSS and corresponding band kit. This mount provides a structural method for anchoring safety cables. It installs above the pole adapter and safety cables are then secured to the safety anchor and each loudspeaker, thus by-passing the pole adapter completely.



DUAL ADAPTER / PM-DA-48:

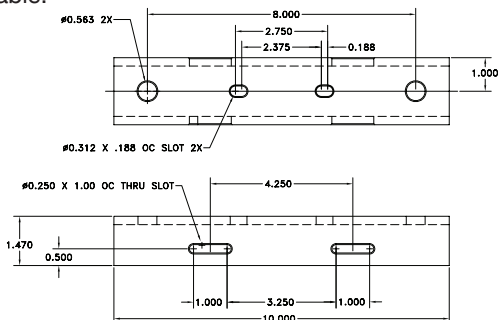
The Dual Adapter is an innovative way to mount and aim two loudspeakers and other objects (of equal weight and mass) from the same Pole or column. A variety of available mounting holes permit speakers to be installed closer or further from the pole to provide clearance for different down tilt angles. The Dual Adapter is produced from stainless steel in hardware is included to secure it to the pole adapter and/or support arm. Yokes and U-Brackets are not included.



POLE ADAPTER / PM-MOUNT-6DOWN:

2 - 6" Diameter & Larger

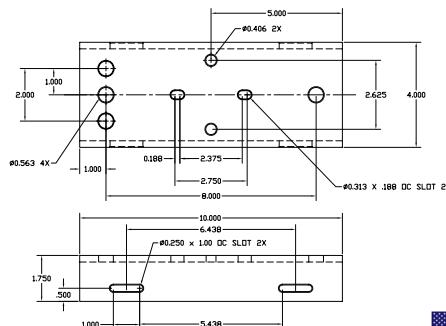
Designed for 6"/154mm down to 2- 3/8" diameter poles and columns. This all-stainless mount with natural finish supports up to 150 lb./68 Kg, in a vertical load with a 5:1 design factor. It accommodates the PM Series Support Arm and comes with hardware to mount the support arm to the pole adapter. There are four standard permanent band kits available in different lengths and are sold separately. Custom lengths are also available.



POLE ADAPTER / PM-MOUNT-6UP:

6" Diameter & Larger

For 6"/154mm diameter and larger poles and columns, use the PM-Mount6UP. This all-stainless adapter offers a natural finish and supports up to 300 lb./68 Kg, in a vertical load with a 5:1 design factor. It accommodates the PM Series Support Arm, Dual Adapter and includes hardware for their attachment. There are four standard permanent band kits available in different lengths and are sold separately. Custom lengths are also available.



Adaptive Technologies Group

1635 E. Burnett Street | Signal Hill, CA 90755 USA
Ph: 562.424.1100 | Fax: 562.424.3520
www.adaptivetechgroup.com



ALWAYS INSTALL SAFETY CABLES

WARNING: Mounting and/or suspension of audio and video equipment requires experienced professionals. Improperly installed loudspeakers can result in property damage, personal injury and/or liability to the installing contractor.

