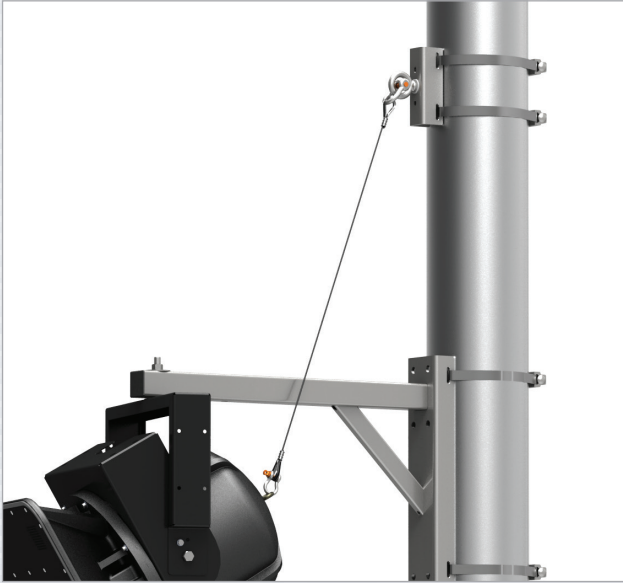


PM-SAFETY-6DOWN

SAFETY CABLE ANCHOR POINT

GALVANIZED

PoleStar®



When the pole or column does not offer an adequate way to attach safety cables, specify the PM-Safety-6Down and corresponding band kit. This mount provides a structural method for anchoring safety cables.

It installs above the pole mount. Safety cables are then secured to this anchor and each mounted item, thus by-passing the pole mount completely.



STANDARD FEATURES:

- ▶ Mounts to round surfaces from 4" diameter and up
- ▶ All steel construction
- ▶ Load rated components
- ▶ Job-site ready
- ▶ Optional Accessories (See Next Page)

OPTIONAL ACCESORIES:

- ▶ See next page

SPECIFICATIONS:

Material: Galvanized Steel Alloy

Finish: Galvanized Passivated

Color: Silver

WLL: 300 lb / 136.078

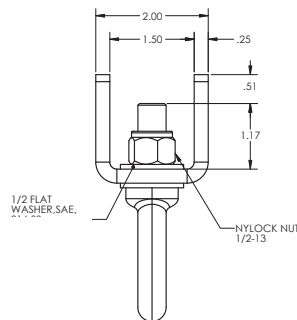
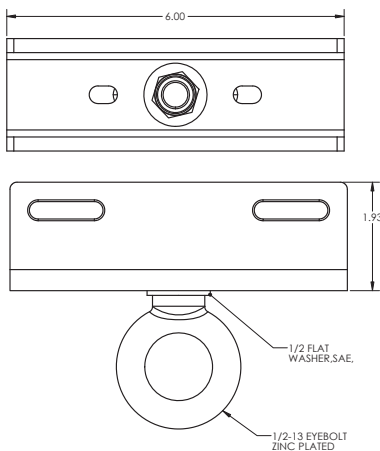
*WLL = Working Load Limit

PACKAGE CONTENTS:

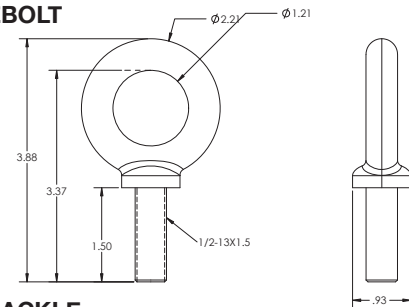
1pc Channel Mount Bracket

1pc 1/2" Eyebolt

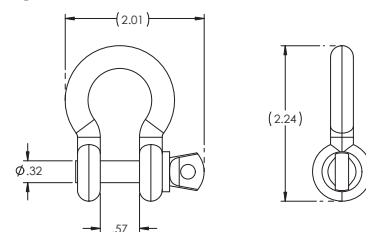
1pc 3/16" SPA Shackle



1/2" EYEBOLT



3/16" SHACKLE



PM-SAFETY-6DOWN

GALVANIZED

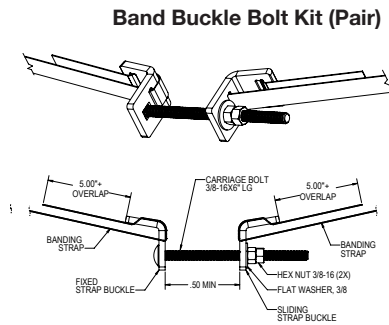
OPTIONAL ACCESSORIES

PoleStar®



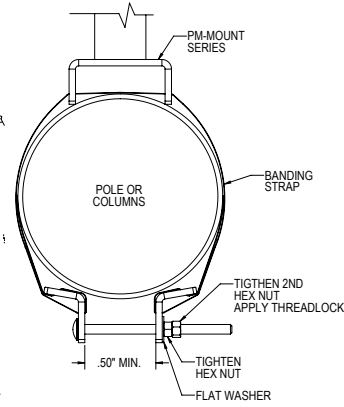
PM-BAND-20S

For Poles 2"-6" Diameter



PM-SB-BAND-XXX

For Poles 6"-32"



BAND STRAP KITS:

Five different length permanent band kits are available in stock lengths including 20", 30" 60", 90" and 120". Choose from the section below. Each kit contains 2 assemblies. These kits, when used per instructions, will support the stated working load of the selected pole adapter.

Model	Length	Width	Thickness	Max Pole Dia.	WLL	Weight
PM-Band-20S	20"/508mm	.50/13mm	.02 / 0.508mm	6"/152mm	150 / 68kg	.7 lb. / .32 kg
PM-SB-BAND-30	30"/762mm	.75/19mm	.03 / 0.762	6"/152mm	300 / 136kg	1.5 lb. / 0.7 kg
PM-SB-BAND-60	60"/1524mm	.75/19mm	.03 / 0.762	15"/381	300 / 136kg	2.0 lb. / 1.9 kg
PM-SB-BAND-90	90"/2286mm	.75/19mm	.03 / 0.762	25"/635mm	300 / 136kg	2.5 lb. / 1.1 kg
PM-SB-BAND-120	120"/3048mm	.75/19mm	.03 / 0.762	32"/813mm	300 / 136kg	3.0 lb. / 1.36 kg

SAFETY CABLES:

Model #	Length (Loop to Loop) Inches/mm	Description QTY & Contents	MATL	Static WLL (lbs/kg)	Style
SC-188-18-SS	18"/450	3/16" Wire Rope 7X19 (2) 1/4" Shackle	SS	750/ 340	B
SC-188-24-SS	24"/610	3/16" Wire Rope 7X19 (2) 1/4" Shackle	SS	750/ 340	B
SC-188-30-SS	30"/762	3/16" Wire Rope 7X19 (2) 1/4" Shackle	SS	750/ 340	B
SC-188-48-SS	48"/1220	3/16" Wire Rope 7X19 (2) 1/4" Shackle	SS	750/ 340	B
SC-188-72-SS	72"/1830	3/16" Wire Rope 7X19 (2) 1/4" Shackle	SS	750/ 340	B
SC-188-96-SS	96"/2438	3/16" Wire Rope 7X19 (2) 1/4" Shackle	SS	750/ 340	B

Style B

