

QL-315

(1760 lb. WLL)

5/16" QUICKLINK

QUICK LINK



QuickLinks join two closed-end items together, such as wire rope assemblies, turnbuckles and eyebolts quickly and easily. They offer significant working loads for their size and serve as convenient coupling device. Because its side locking turn style has the potential to loosen over time, apply threaded lock when installing for overhead use.



KEY FEATURES:

- ▶ Strong light weight
- ▶ Installs quickly

OPTIONAL ACCESSORIES

- ▶ Thread Lock .5 ml

SPECIFICATIONS:

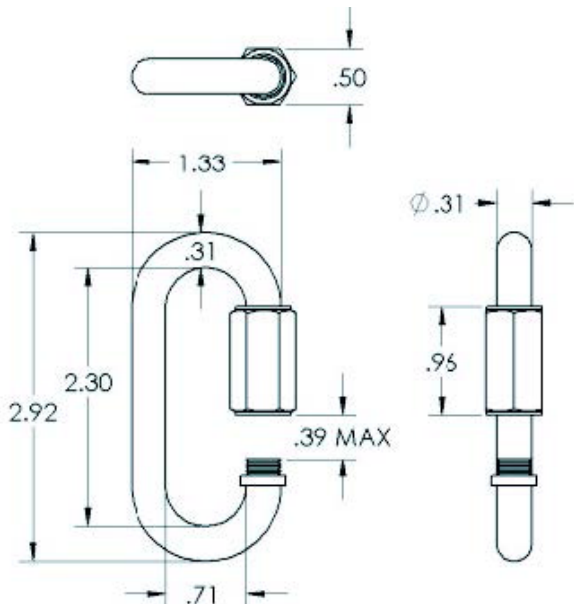
Diameter: 5/6"
Color: Black
Design Factor: 5:1 ratio
WLL: 1760 lb / 800 kg

PACKAGE CONTENTS:

1pc Quick Link



Rated for indoor use.



ALWAYS INSTALL SAFETY CABLES

WARNING: Mounting and/or suspension of equipment requires experienced professionals. Improperly installed equipment can result in property damage, personal injury and/or liability to the installing contractor.