

SAS-100-20

LOAD-RATED WALL SUSPENSION ARM

100 lb. WLL

Steerables®



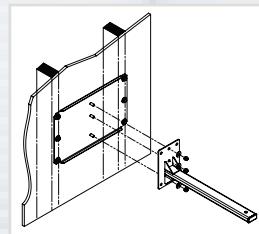
20" Long Wall Arm

WALL MOUNTING SYSTEM

The SAS-100-20 is an efficient, load rated universal wall arm system for for objects, such as, loudspeakers and video mounts weighing up to 100 lb./45.5 Kg. Loudspeaker and video monitor mounts can easily be attached and aimed from walls and other vertical structures with ease of installation and flexibility in adjustment.

This all structural steel alloy assembly is ready to accomodate most theatrical yoke mounts. The SAS-100-20 comes with hardware and is available in a black, baked-on powder coat finish.

For optimum application confidence, this mount has been load-tested to ten times its normal working load without achieving ultimate failure.



Mounts to WP-16

STANDARD FEATURES:

- ▶ Accomodates loudspeaker, lighting and theatrical yoke mounts
- ▶ Mounts to walls and other structural surfaces
- ▶ Minimal wall surface area required
- ▶ Significant reductions in installation and planning time
- ▶ Adapts to many standard Yoke and U-Series assemblies

OPTIONAL ACCESSORIES:

- ▶ Stud Plate WP-16
- ▶ See U-Bracket datasheet
- ▶ See Safety Cable datasheet

SPECIFICATIONS:

Materials: Alloy steel tube and plate
Finish: Powder Coat
Color: Textured black
WLL: 100 lbs./45 kg.
Design Factor: 10:1 ratio based on ultimate yield point
Net Weight: 4.5 lbs./2.05 kg.
Shipping Weight: 5.5 lbs./2.5 kg.
Pack Count: 1 unit/carton

PACKAGE CONTENTS:

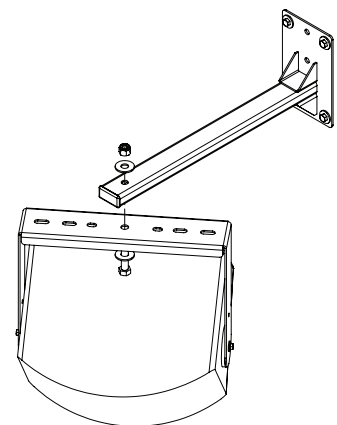
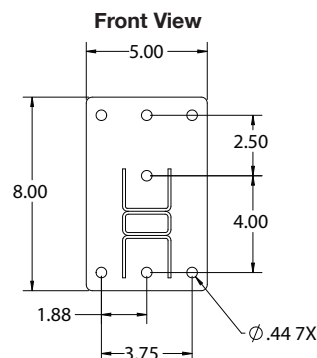
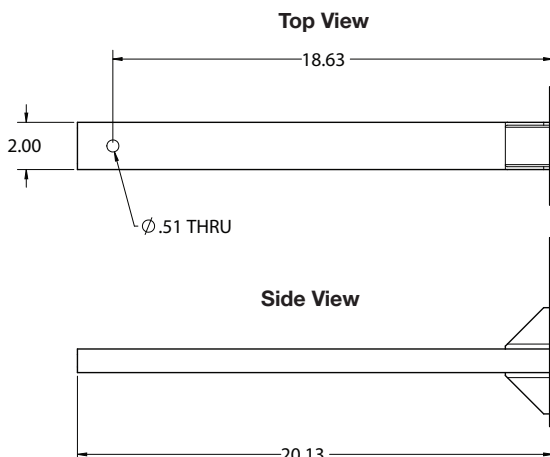
- 1 pc. Wall Arm
- 1 pc. Hardware Kit

Hardware for mounting to the wall structure is not included



Rated for indoor use.

DIMENSIONS:



ALWAYS INSTALL SAFETY CABLES

WARNING: Mounting and/or suspension of equipment requires experienced professionals. Improperly installed equipment can result in property damage, personal injury and/or liability to the installing contractor.