

# SAS-1WA-20

# 300 lb. WLL

## SUSPENSION AND AIMING FOR SINGLE CABINETS

## Steerables®



Save time and reduce clutter. The One-Way-Array™ is an easy use load-rated and off-the-shelf loudspeaker rigging and aiming system for single loudspeakers. It is ideal for aiming sound for left and right of house configurations and provides side & back fill coverage where speakers cannot be wall mounted.

The top section of the One-Way-Array rigs from two overhead suspension points such as along a beam. The lower section supports the loudspeaker but rotates relative to the upper section, up to 360° horizontally. This gives the installer precise horizontal aiming of the loudspeaker.

For precise vertical tilting, select from a variety of U-Brackets or Steerables® Adjustable Tilt Cable Kit systems. Load rated shackles and wire ropes are included in these kits.

Typical venues include theatres, churches, school auditoriums, gymnasiums, retail, night clubs, sport arenas, meeting halls, and theme park attractions.

### STANDARD FEATURES:

- ▶ Steer Speakers up to 360° pan angle
- ▶ Supports loads up to 300lb
- ▶ Includes suspension hardware & decorative end caps
- ▶ Load rated steel alloy components
- ▶ Tough enamel powder coat

### OPTIONAL ACCESSORIES:

- ▶ 1. Steerables Tilt Cable Kit for tilt angle control
- ▶ 2. Fixed width U-Brackets for tilt angle control
- ▶ 3. Beam Clamps, Swivel Rings and rigging chain available to create hanging points
- ▶ 4. Eyebolts, Shackles and Turnbuckles available for complete install
- ▶ 5. Wire Rope components and supplies

### SPECIFICATIONS:

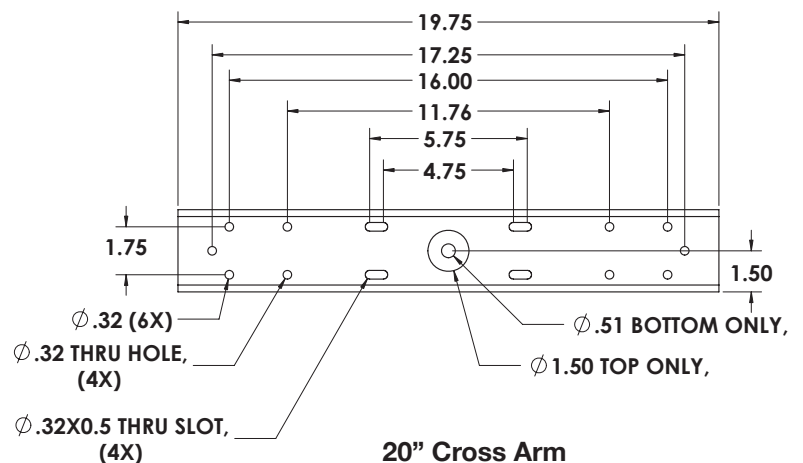
**Material:** Alloy structural steel tube powder  
**Finish:** coat paint  
**Color:** Black  
**WLL:** 300 lbs/136 Kg  
**Design Factor:** 5:1 ratio  
**Product Weight:** 13.2 lb / 6 Kg

### CONTENTS:

**Pack Count:** 1/carton  
\* Includes eyebolts & hardware kit



### DIMENSIONS:



**Adaptive Technologies Group**  
1635 E. Burnett Street | Signal Hill, CA 90755 USA  
Ph: 562.424.1100 | Fax: 562.424.3520  
www.adaptivetechologiesgroup.com



### ALWAYS INSTALL SAFETY CABLES

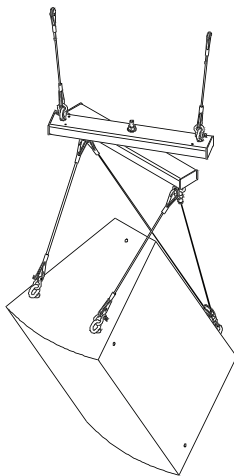
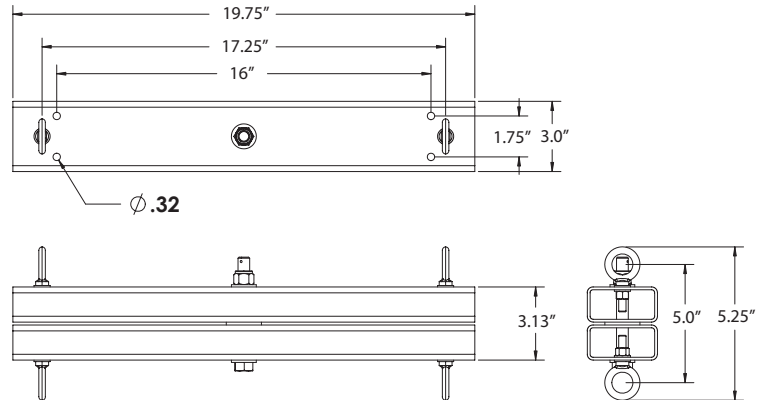
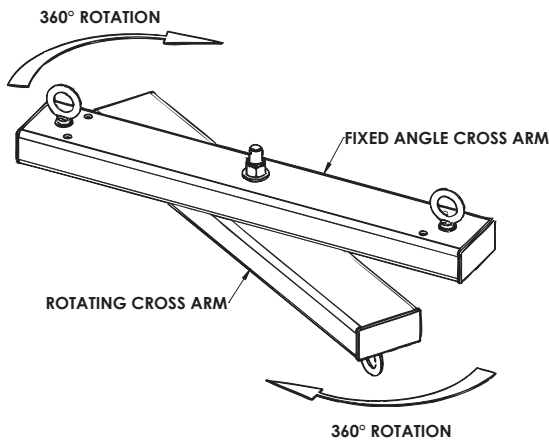
**WARNING:** Mounting and/or suspension of audio and video equipment requires experienced professionals. Improperly installed loudspeakers can result in property damage, personal injury and/or liability to the installing contractor.

# SAS-1WA-20

# 300 lb. WLL

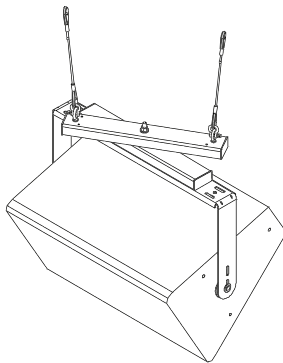
## SUSPENSION AND AIMING FOR SINGLE CABINETS

## Steerables®



### ONE-WAY-ARRAY WITH STEERABLES TILT CABLE KIT VERTICAL ORIENTATION

One-Way-Array's standard configuration comes with eyebolts that secure to the upper and lower rotating arms. The entire assembly suspends from the upper eyebolts and the Steerables Tilt Cable Kit attaches to the lower eyebolts. Cable kits come in five different lengths to accommodate different down angles. The selected loudspeaker suspends from the cable kit and can be adjusted into any down angle.



### ONE-WAY-ARRAY WITH U-BRACKET HORIZONTAL ORIENTATION

One-Way-Array's standard configuration comes with pre set holes in the lower rotating arm to accommodate standard Adaptive U-Brackets. To install, simply remove the center bolt, attach the selected U-Bracket using included hardware then reassemble the center bolt. Attach the loudspeaker in between the U-Bracket and tilt into position.