

# SAS-200-24

## Wall Mount with 24" long Arm

### Installation Instructions

The SAS-200-24 steel pole mount is designed to mount loudspeakers and other equipment from vertical surfaces. The SAS-200-24 accommodates many standard mounts for a wide variety of mounting solutions, including, yokes and U-Brackets.

**Important:** Mounting overhead system requires professional experience. **Improperly installed equipment can result in property damage, personal injury, death and/or liability to the installing contractor.** Do not install if in doubt about the integrity of the mounting structure.

**Caution:** Due to the wide variety of mounting structures, environments, materials and mounting methods, the installing contractor must exercise good judgment in selecting the proper mounting area and hardware.

**Follow these instructions for the most efficient and safest mounting results.**

**Do not exceed the working load limit of 200 lbs/91kg.**

**DO NOT use Pneumatic tool to tighten bolts.**

**Use Loctite to permanently secure nuts to bolts and prevent loosening overtime.**

**Bolt Torque: 35-40 foot pounds**

#### Package Contents:

- 1 pc Wall Mount, w/ 24" arm
- 1 pc ½-13 x 3.5 hex bolt
- 1 pc ½-13 x 4.5 hex bolt
- 1 pc ½-13 nylock nut
- 1 pc ½ split lock washer
- 1 pc ½ Flat washer
- 1 pc Loctite #262
- 1 pc Instruction sheet
- 1 pc Friction gasket

#### Step 1:

Install wall mount to wall using the appropriate hardware for the wall. **(DO NOT INSTALL DIRECTLY TO DRYWALL WITHOUT SUPPORTING STUDS OR BACKING.)** Make sure wall mount is plumb and level. (Figure 1).

#### Step 2: Attach a Speaker Mount to the Arm.

Attach the selected mount's center hole to the selected extension arm's hole using the included ½-13 x 3.5" or 4.5" long hex bolt, split lock washer, fender washer, friction washer, and Nyloc nut. Length of bolts to use depends on the type of mounts being installed. Make sure the friction washer is placed in between the arm and the mount (Figure 2). Rotate mounts/speaker assembly to desired angle then tighten bolts permanently.

#### Notes:

Holes on extension arm are 24", 21" and 18" from wall.

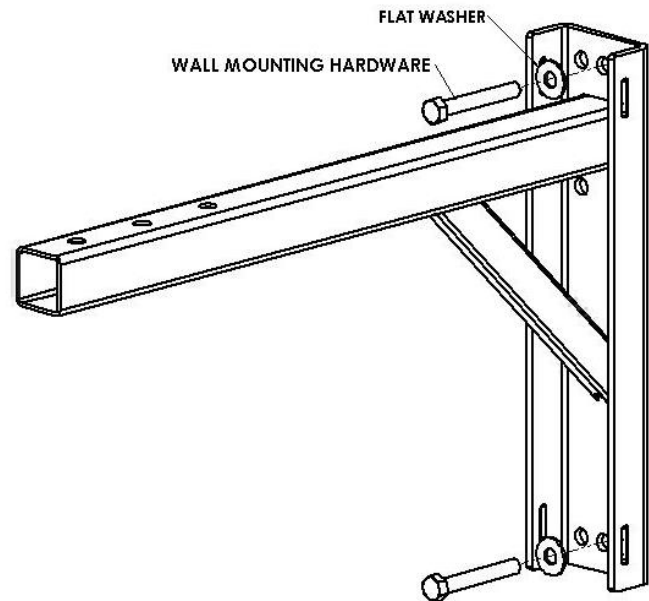


Figure 1

### Step 3: Install and Aim Speaker(s)

Following the instructions of the mount, install and aim loudspeaker then tighten hardware and angles permanently.

### Step 4: Install End Caps

After installation, cover the end of the arm with the provided 2 x 2 end cap. Trim end caps if necessary to clear bolts head and washers.

### Step 12: Install Safety Cable

Secure a safety cable to the pole or column and then attach the other end of the safety cable to the speaker to bypass the mounting system.

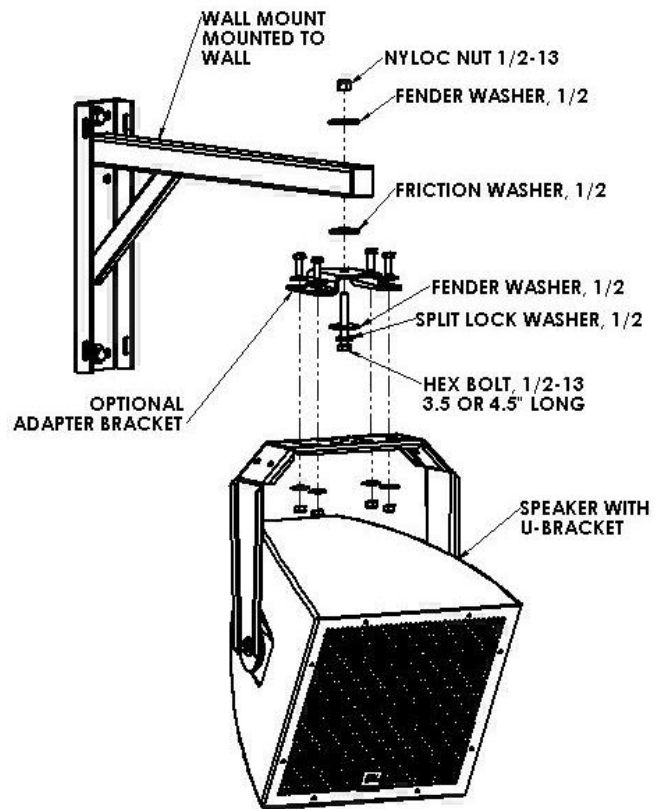


Figure 2