

Installation Instructions

This safety cable lanyard secures speakers to wall and ceiling structures as a safety back up for wall and ceiling mounting brackets. This cable should not be used for any structural rigging application where constant weight is applied.

Warning:

Mounting and/or rigging loudspeakers requires experienced professionals. Improperly installed loudspeakers can result in property damage, personal injury, death and/or liability to the installing contractor.

For a trouble free installation, please read and follow these instructions carefully before you begin.

Important:

The wall or ceiling structure, where the cable is attached, must be capable of supporting at least five to ten times the weight of the speaker.

Ceiling Application:

Step 1. Attaching to the Speaker

Locate a threaded mounting point of the speaker that is not used for mounting. Permanently attach the eye at the end of the cable to the speaker's mounting point using a suitable bolt or screw and washer. Be sure to use a washer that is wider than the hole of the angled washer. Tighten bolt or screw permanently (Figure 1).

Note: SC-154 does not have an angled washer on one end of the cable as shown on Figure 1, 2 and 3.

If there is no other mounting points on the speaker, use the mounting point used by the mounting bracket. Be sure to secure the speaker first before attempting to remove the bolt or screw of the bracket. Slowly remove the bolt or screw from the bracket then insert the bolt or screw through the flat washer and through the eye of the safety cable. Replace the bolt or screw with the safety cable through the bracket and speaker. Tighten bolt or screw permanently (Figure 2).

Step 2. Attaching safety cable lanyard to ceiling structure:

Locate a ceiling beam strong enough to support five to ten times the weight of the speaker. Wrap the other end of the safety cable lanyard with the quicklink around the beam. Make sure to provide enough length to the cable for tilt and swivel adjustment of the speaker. Unlock the nut of the quicklink and hook it up to the safety cable. Replace and tighten quicklink's nut permanently (Figure 3).

Wall Application:

Step 1. Attaching to the speaker

Locate a threaded mounting point of the speaker that is not used for mounting. Permanently attach an eyebolt (not included) to the mounting point. Unlock the nut of the quicklink and hook it up to the eyebolt, then replace and tighten the nut of the quicklink permanently (Figure 4).

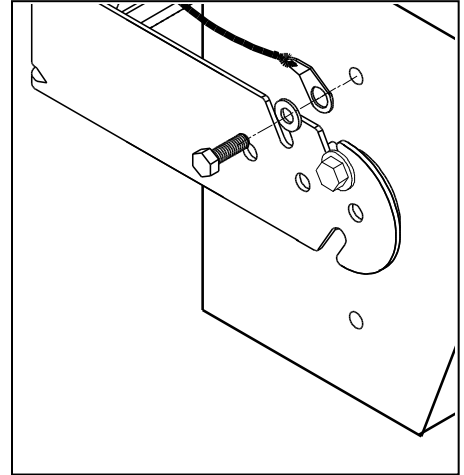


Figure 1

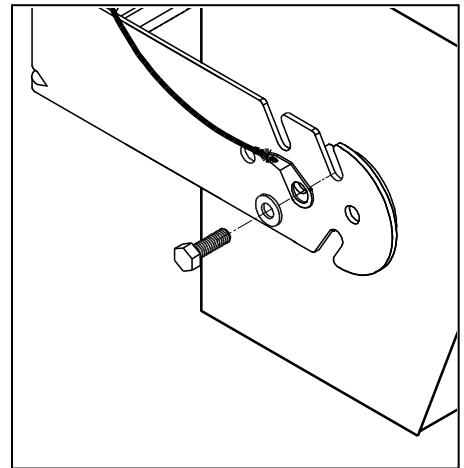


Figure 2

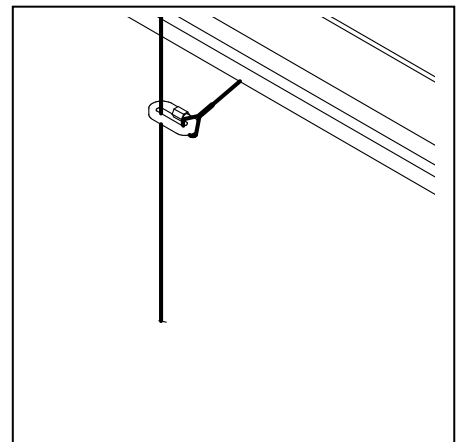


Figure 3
091815

If there is no other mounting points on the speaker, use the mounting point

used by the mounting bracket. Be sure to secure the speaker first before attempting to remove the bolt or screw of the bracket. Slowly remove the bolt or screw then replace it with the appropriate eyebolt. Unlock the nut of the quicklink and hook it up to the eyebolt, then replace and tighten the nut of the quicklink permanently (Figure 5).

Step 2. Attaching to the Wall Structure

Locate a stud in the wall, and predrilled a 1/8" hole into the wall stud. Secure the other end of the cable to the wall using the appropriate hardware. Make sure to use a fender washer or a flat washer that is wider than the eye of the cable. Be sure to provide enough slack on the cable for later tilt and swivel adjustment of the speaker. Tighten bolt or screw permanently.

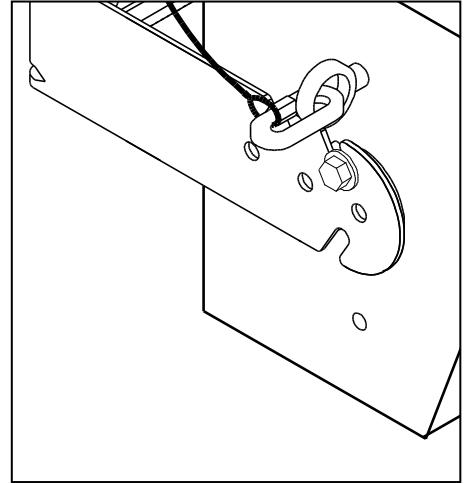


Figure 4

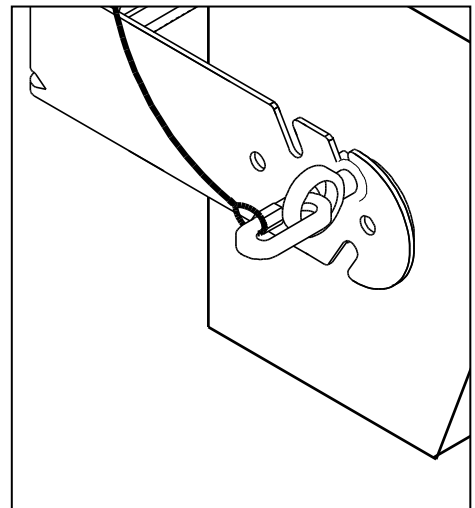


Figure 5