

SL-375

1080 lb. WLL

3/8" PEAR SHAPED SLING LINKS

LINKS, PEAR & END



Weldless Pear Link

Weldless sling links are produced from a single piece of metal so there is no chance for weld failure. This high strength load rated link is ideal for use in bridling two points (from the wider end), at angles from a third point (at the narrower end), such as with shackles or wire rope assemblies.



Bridle Rigging

KEY FEATURES:

- ▶ High Strength
- ▶ Weldless
- ▶ 3-Point Suspension

OPTIONAL ACCESSORIES:

- ▶ See SK Series Shackles
- ▶ See QL Series Quick Links

SPECIFICATIONS:

Diameter: 3/8"

Material: Forged Carbon Steel

Finish: Galvanized

WLL: 1080 lb / 491 Kg

Design Factor: 10:1

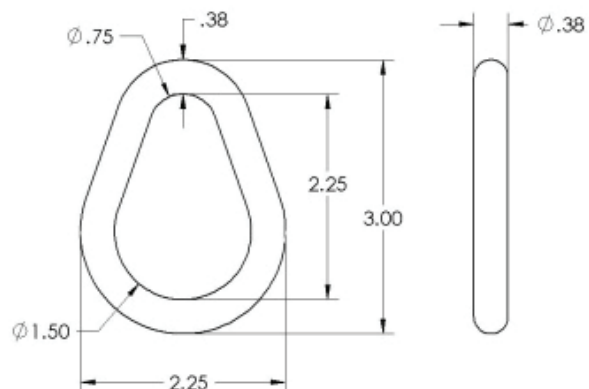
PACKAGE CONTENTS:

1pc 3/8" Sling Link



Rated for indoor use.

DIMENSIONS:



ALWAYS INSTALL SAFETY CABLES

WARNING: Mounting and/or suspension of audio and video equipment requires experienced professionals. Improperly installed loudspeakers can result in property damage, personal injury and/or liability to the installing contractor.